





ALL NEW **VELLFIRE**

ALL NEW **ALPHARD**



2.5 G Type 



3.5 Q Type 

UNRIVALLED COMFORT
FOR THE JOURNEY AHEAD

ALL NEW **ALPHARD**



2.5 G Type



3.5 Q Type



3.5 Q Type

NEW Elegant Theme Interior Design to enhance every your delightful journey.

Pampering You with Luxury and Comfort

Travel in comfort with enhanced support performance and arrive at your destination in top form.



Dual Climate A/C Control
with Captive Touch
(3.5 Q Type)



Elegant Wireless Key
A keyless entry and button ignition for starting your magnificent journey.
(2.5 G & 3.5 Q Types)



Driver Control with Electric Parking Brake
That indulge you and all the passengers with convenience journey.
(3.5 Q Type)



Cockpit Information Display
Provides all the vehicle information.
(3.5 Q Type)



NEW Black Wood 4 Spokes
Steering Wheel with Display Button
& Steering Heater
The convenience that gives you a full controlling to all vehicle information.
(3.5 Q Type)

A First Class with Uncompromised Comfort

Spacious environment and flexible seating arrangements
will enhance all your journey with luxurious feeling.



2.5 G Type



3.5 Q Type

Seat Arrangement unrivalled comfort with flexible seat arrangements and third row that create more personal space for every passengers.



2.5 G Type

Console Box
Let you put all your glass or belonging easily.



Step Illumination
(2.5 G & 3.5 Q Types)



Power Electric Backdoor
(2.5 G & 3.5 Q Types)

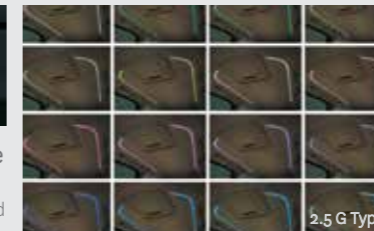


2.5 G Type

Spacious Luggage



Climate Control Panel with NanoE
Indulge all passengers with luxurious comfort and high quality air generated by NanoE™ technology.
(2.5 G & 3.5 Q Types)



2.5 G Type

Color Ceiling Illumination
With 16 different colors that suits your mood.
(2.5 G & 3.5 Q Types)



3.5 Q Type

Sunshade
Keeps the royal journey feels comfort, safety and private.
(2.5 G & 3.5 Q Types)



Control Panel on Second-row Captain Seats with A/C & Heater
Helps you to adjust seatbacks, footrest and multi-support headrest.
(3.5 Q Type)

Indulge Yourself with Integrated Majestic Audio System

A high class and majestic entertainment with fascinating audio experience that accompany you with Toyota Navigation System and Premium Sound.



JBL Audio Head Unit
A luxury entertainment system with touch screen, DVD player, and Toyota Navigation.
(3.5 Q Type)



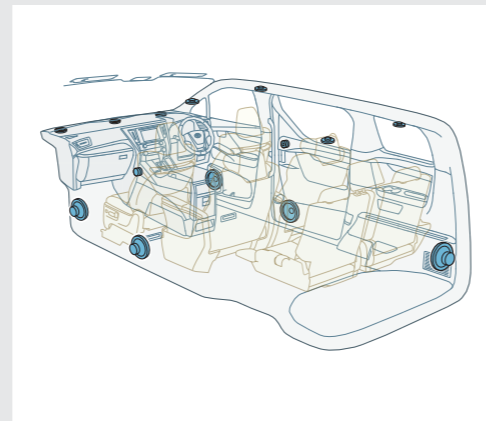
3.5 Q Type



Rear Seat Entertainment 9-inch LCD Monitor with Blu-ray Player & SD Card Reader
That enhance every magnificent journey with premium speaker.
(3.5 Q Type)



Front Audio Jack
Let you to experience the comfort when you need to listen your favorite movie/music in personal.
(3.5 Q Type)



17-JBL Speakers System
Bring the entertainment more closer to royal passengers.
(3.5 Q Type)

Majestic Peace of Mind

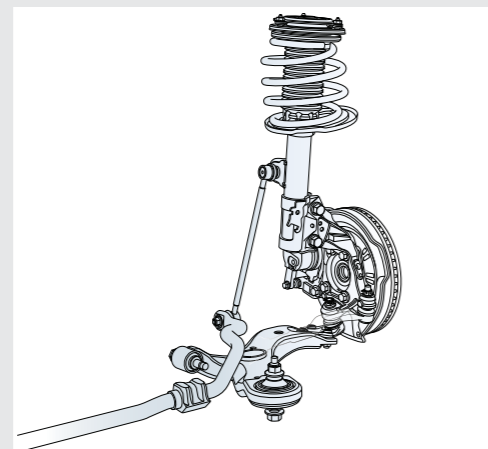
The seven airbags ensure the safety of all passengers, enduring impacts to the maximum safety giving each and every individual a comfort ride.

Experience Your Delightful Journey with Convenience

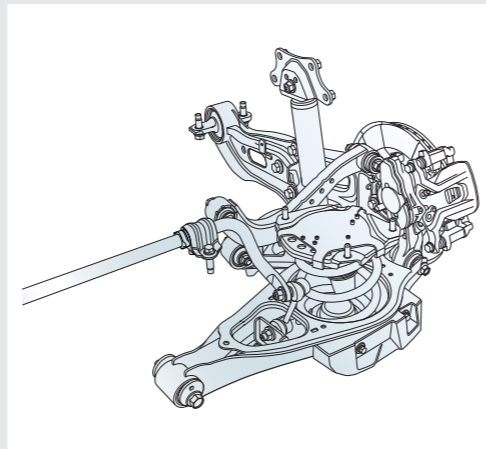
Ultimate driving pleasure that brings you to your destination with full satisfaction.



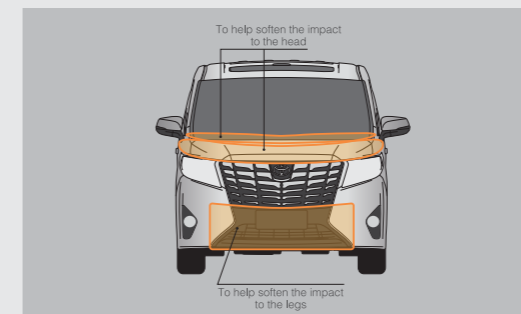
3.5 L Dual VVT-i V6 Engine with 275 PS



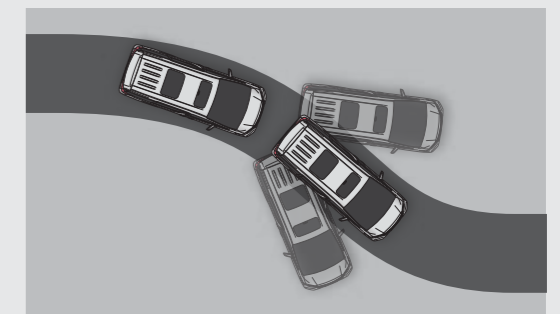
MacPherson Strut with Stabilizer Front Suspension



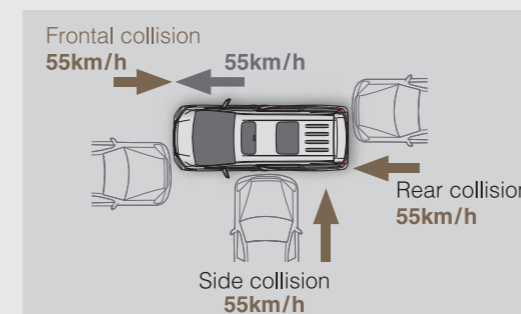
Double Wishbone with Stabilizer Rear Suspension



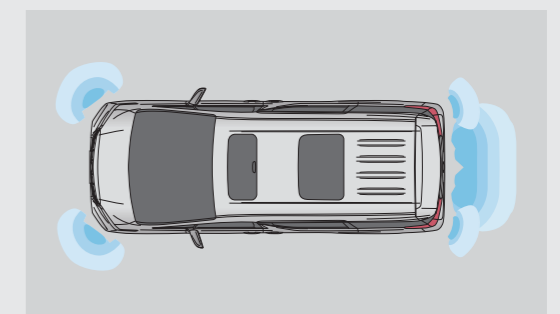
Body Structure to Help Reduce Injury to Pedestrians



Vehicle Stability Control



Omnidirectional Compatibility Body Structure



Clearance & Back Sonars